

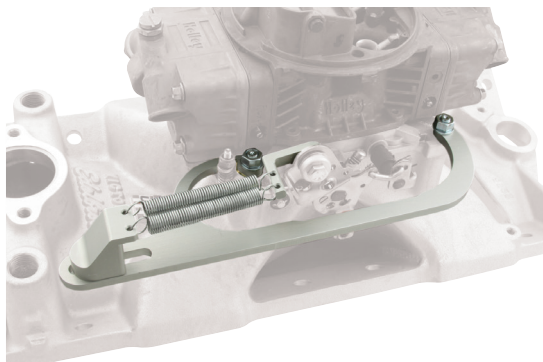


Part No. ALL54200-54203

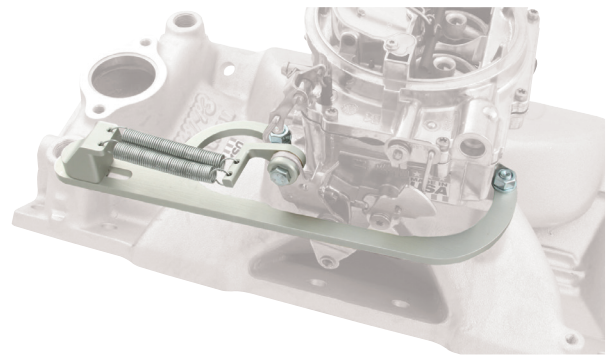
Throttle Return Spring Brackets

Billet aluminum bracket can be used with cable or mechanical linkage. Bracket fastens to carb mounting studs and includes dual stainless Steel return springs which are adjustable for tension. A specially designed return spring arm attaches to the carb for simplified installation and smooth operation. Low profile design clears most air cleaner assemblies.

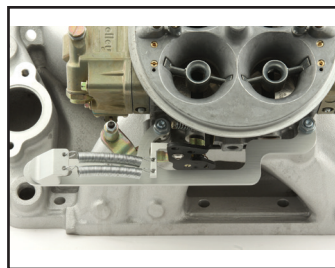
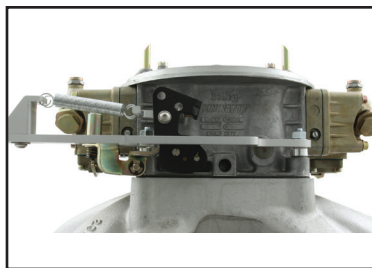
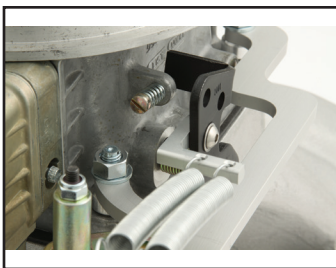
Part No.	Description
ALL54200.....	4150 & Edelbrock Carbs, Clear
ALL54202.....	4150 & Edelbrock Carbs, Black
ALL54201.....	4500 Carb, Clear
ALL54203.....	4500 Carb, Black



ALL54200 Shown On Holley 4150 Carb



ALL54200 Shown On Edelbrock Carb



ALL54201 Shown On Holley Dominator

Allstar Performance 8300 Lane Dr., Watervliet, MI 49098
Phone: (269) 463-8000 Fax: (800) 772-2618 www.allstarperformance.com

REV050613