



Part No. ALL55080-55099

## Chrome Moly Jacobs Ladder

Jacobs Ladder is constructed of 4130 chrome moly with aluminum straps. Grade 8 bolts, nyloc nuts, and AN flat washers are included. Approx. 2 lbs.

Part No.	Down Middle	CTC Down Leg
ALL55080.....	13-1/4" .....	13-1/2"
ALL55081.....	13-5/8" .....	13-7/8"
ALL55082.....	14" .....	14-1/4"
ALL55084.....	12-1/4" Adjustable.....	12-5/8"
ALL55085.....	13-1/4" Adjustable.....	13-5/8"
ALL55086.....	13-5/8" Adjustable.....	14"
ALL55087.....	14" Adjustable.....	14-3/8"

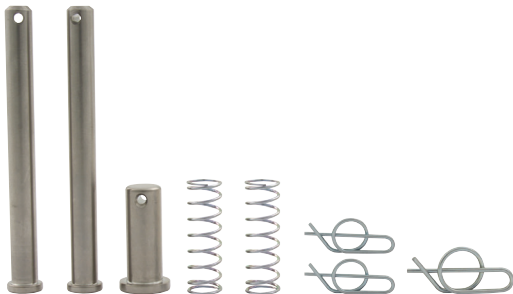
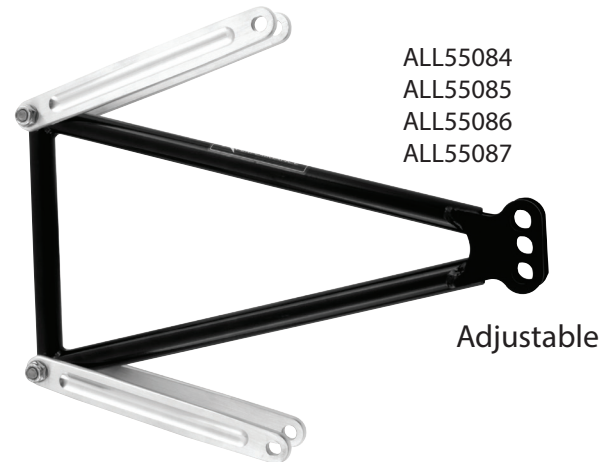
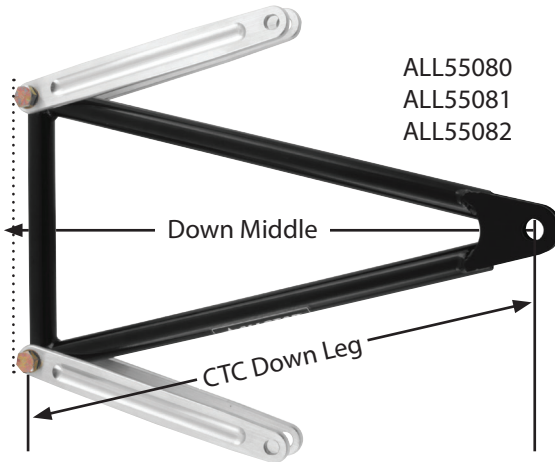
### Replacement Component:

ALL55090..... Strap

### Related Components:

Pin kits offer a quick option for changing a Jacobs Ladder. Kits include two 3/8" x 3-3/4" long strap pins, one 1/2" x 1-1/2" long pin for birdcage rod end, 3 clips and two springs that help keep the ladder free.

- ALL55093..... 3/8" Steel
- ALL55095..... 3/8" Titanium
- ALL55094..... 1/2" Steel
- ALL55096..... 1/2" Titanium
- ALL55097..... 3/8" Clip
- ALL55098..... 1/2" Clip
- ALL55099..... Spring



REV012717