

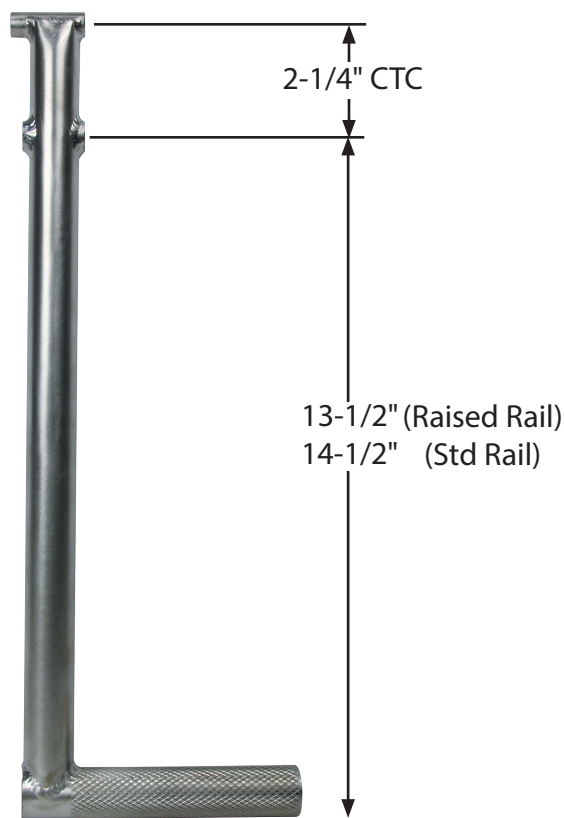


Part No. ALL41031-41032

Sprint Titanium Brake Pedal

High strength titanium brake pedal is manufactured from 1" diameter tubing. Knurled pattern on 5" wide pedal helps keep foot in place. Approximately .55 lbs.

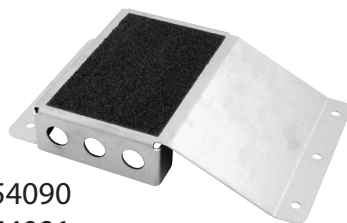
Part No.	Description
ALL41031.....	Standard Rail
ALL41032.....	Raised Rail



Related Parts

ALL54090.....	1" Tall Riser
ALL54091.....	1-1/2" Tall Riser
ALL54092.....	Heel Riser Rest

ALL54090
ALL54091



ALL54092

REV020419

Allstar Performance 8300 Lane Dr., Watervliet, MI 49098
Phone: (269) 463-8000 Fax: (800) 772-2618 www.allstarperformance.com