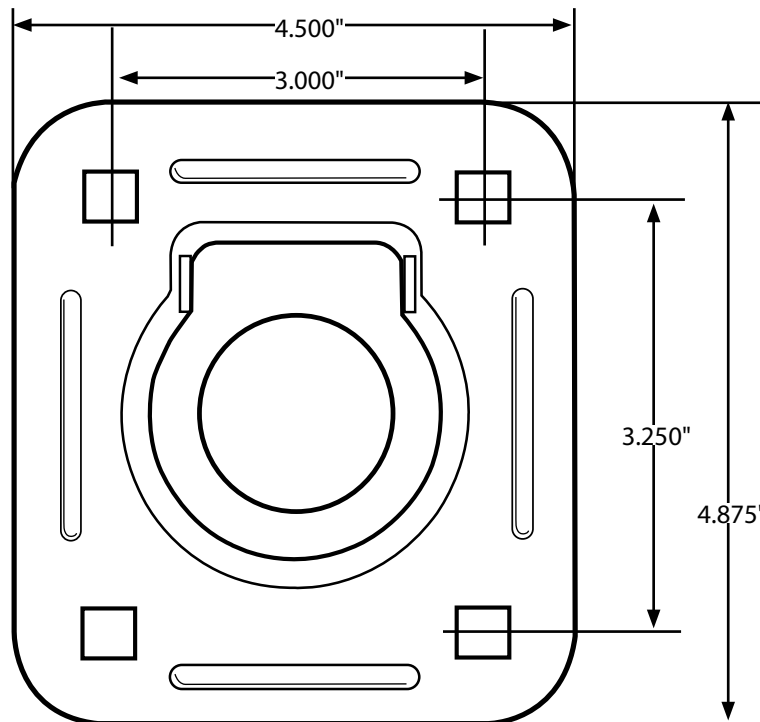




Part No. ALL10210

Recessed D-Ring

Bolt-in style, steel D-Ring helps create a mounting point in a trailer floor, truck bed or anywhere an attach point is needed. A round steel ring with a 1-3/8" I.D. easily flips up for attaching a ratchet strap or other tie down and lays flat when not in use. Each D- ring has a 1660lb working load limit which is the maximum load a D-Ring should be subjected to during normal use.



Part No: ALL60074.....
Related Part: D-Ring Backing Plate

Allstar Performance 8300 Lane Dr., Watervliet, MI 49098
Phone: (269) 463-8000 Fax: (800) 772-2618 www.allstarperformance.com