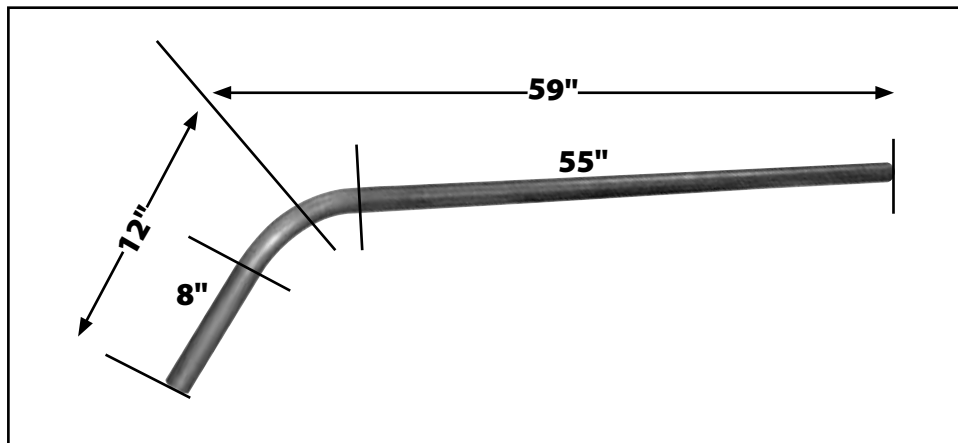
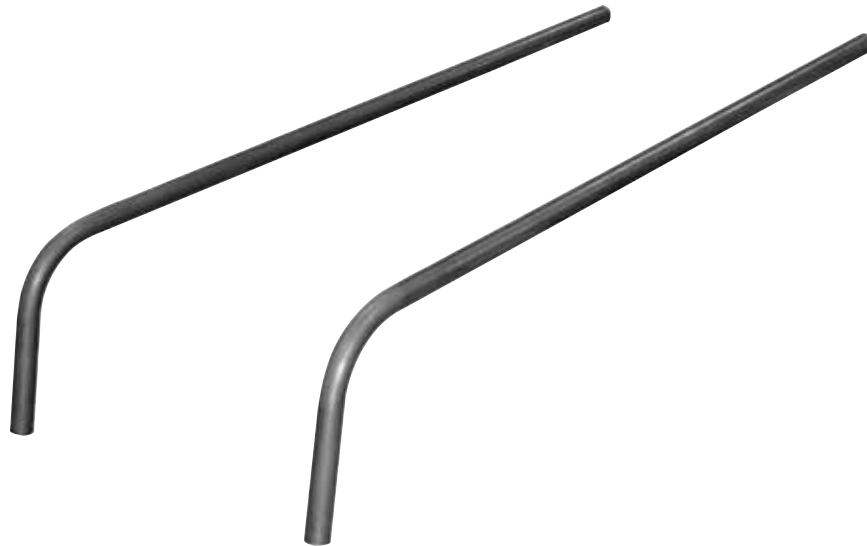




Part No. ALL22642

Strut Bars

Strut bars increase the rigidity and strength of a chassis eliminating flexing and increasing reaction times. Bars can be installed as an upgrade to existing ten point cage kits or when building a new chassis. Pre-bent to fit a variety of applications, bars are 65" long overall with a 14" leg. Constructed of 1-5/8" x .134" wall mild steel tubing.



REV092412

Allstar Performance 8300 Lane Dr., Watervliet, MI 49098
Phone: (269) 463-8000 Fax: (800) 772-2618 www.allstarperformance.com