



Part No. ALL69040-69048

## Slip Yokes

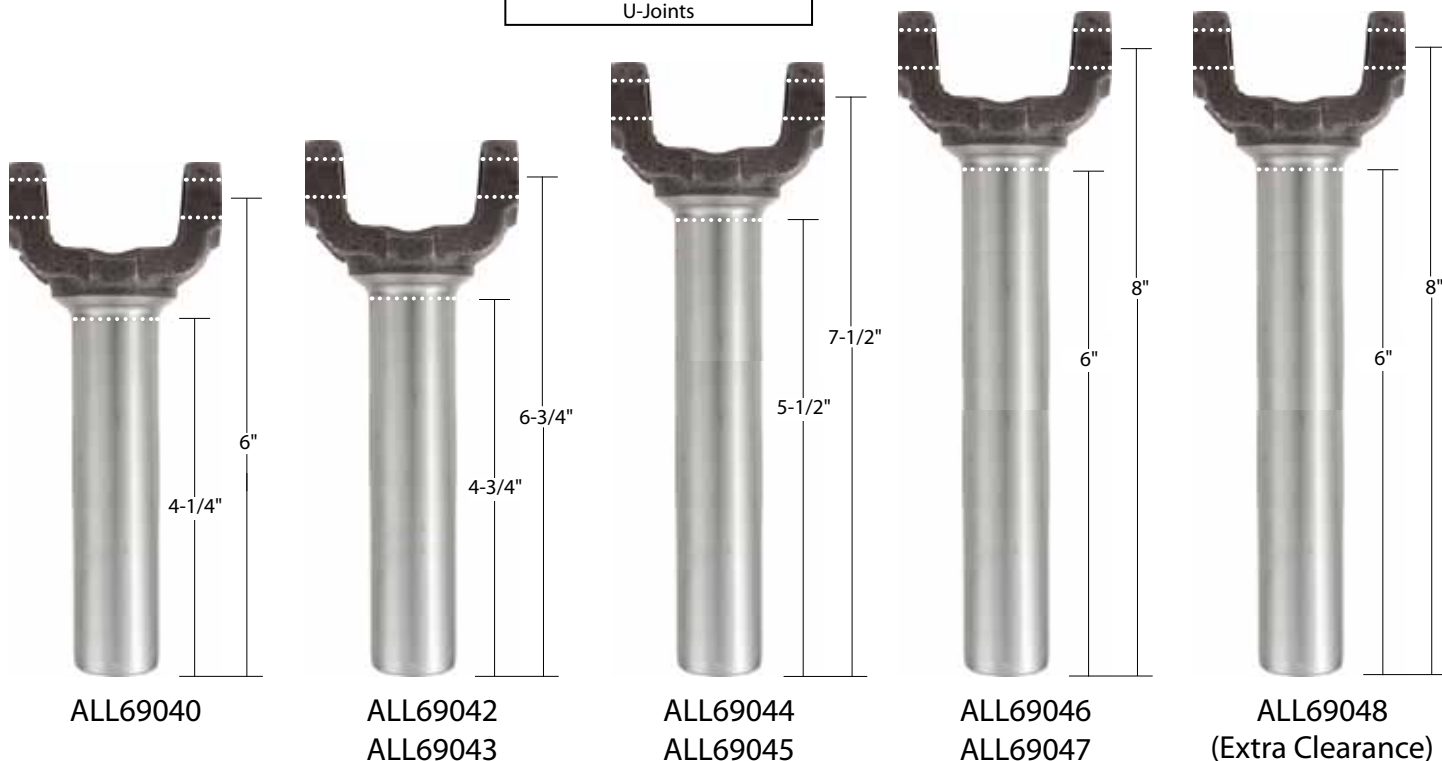
Slip yokes provide an important link in today's driveline and chassis combinations. Yokes are available in standard length for most street applications with minimal suspension travel to extra-long for racing suspensions that have a radical amount of travel. 27 spline yokes accept 1310 style u-joints and are for use in many popular transmissions including TH350, TH700R4, Muncie, Saginaw, Bert and Brinn non-ball spline.

### Part No. Description

- ALL69040.....6"
- ALL69042.....6-3/4"
- ALL69044.....7-1/2"
- ALL69046.....8"
- ALL69048.....8" (Extra Clearance)

### Hardened

- ALL69043.....6-3/4"
- ALL69045.....7-1/2"
- ALL69047.....8"



REV111412