

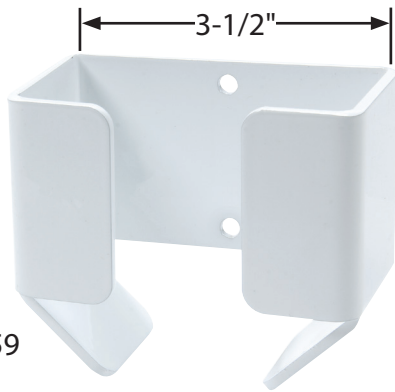


Part No. ALL12259
ALL12260

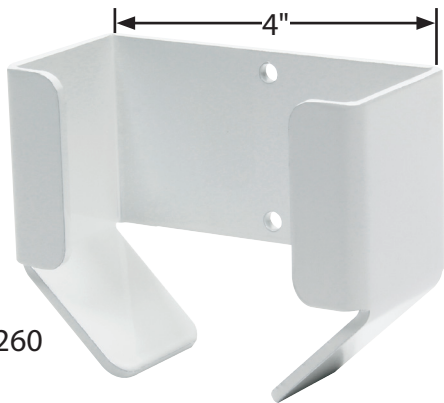
Tire Gauge Holders

Secure holder to shop or trailer wall to keep tire gauge conveniently located. Aluminum holder works with most tire gauges and has wrap around sides to hold gauge in place.

Part No.	Description
ALL12259.....	Holds Gauges Up To 3-1/2" O.D.
ALL12260.....	Holds Gauges Up To 4" O.D.



ALL12259



ALL12260

