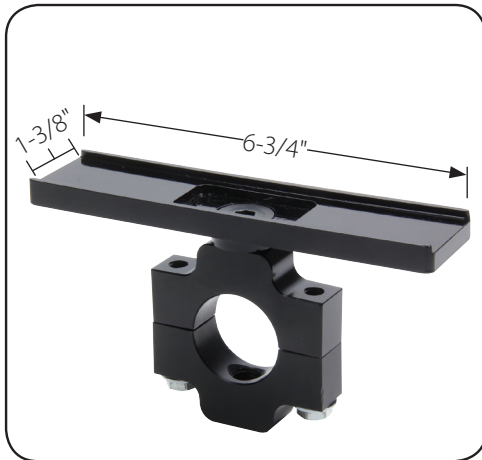




Part No. ALL10741

Level Base

Level base simplifies notching and bending of round tubing and helps ensure accuracy. Base fastens to standard ballast or weight brackets and clamps to the tube as a reference point when creating parallel, perpendicular, or any angle of opposing notches or bends during fabrication. Base accepts most digital levels including ALL10113, ALL10742 and ALL10744 or standard bubble levels.



Shown w/ ALL14195 mounting bracket
(sold separately)



Shown w/ ALL10744 digital level and
ALL14195 mounting bracket
(sold separately)

Individual Mounting Brackets

- ALL14192.....1"
- ALL14193.....1-1/4"
- ALL14194.....1-3/8"
- ALL14195.....1-1/2"
- ALL14196.....1-5/8"
- ALL14197.....1-3/4"

REV090815

Allstar Performance 8300 Lane Dr., Watervliet, MI 49098
Phone: (269) 463-8000 Fax: (800) 772-2618 www.allstarperformance.com