



Part No. ALL90020-90037

Timing Pointers

Black anodized, billet aluminum timing pointers are adjustable to precise timing increments. Chevy pointers are designed for use with stamped Steel covers; longer hardware will be required if using a cast aluminum cover.

Part No.	Description	Balancer
ALL90023	SB Chevy	6-1/4"
ALL90020	SB Chevy	6-3/8"
ALL90021	SB Chevy	7"
ALL90024	SB Chevy	7-1/4"
ALL90025	SB Chevy	8"
ALL90026	BB Chevy	6-1/4"
ALL90022	BB Chevy	7"
ALL90027**	BB Chevy	8"

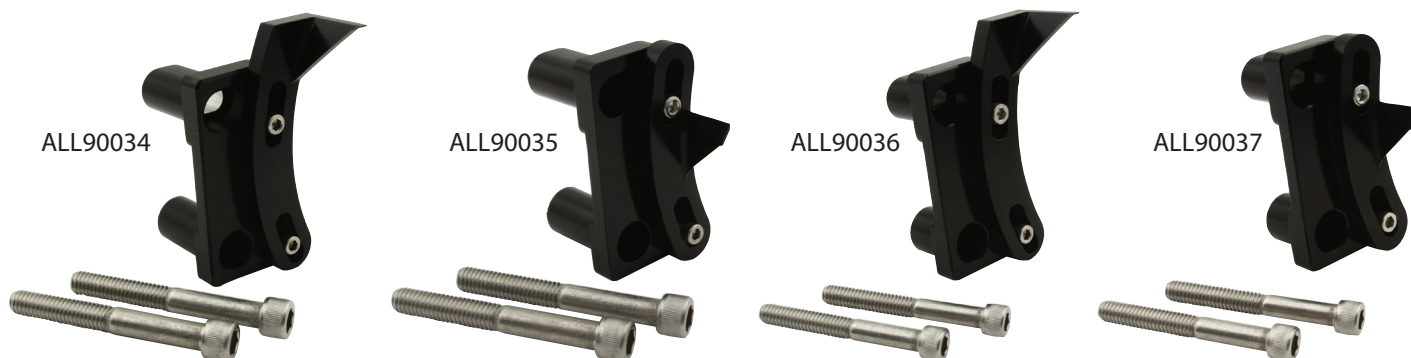
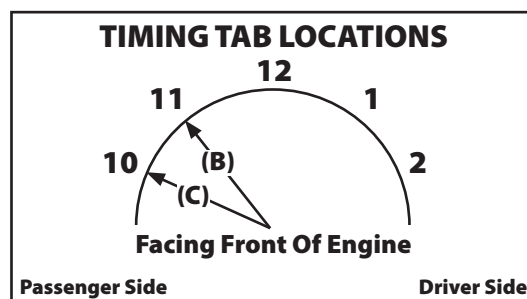


** Will Not Fit +.400" Raised Cam Engines



Part No.	Description	Tab Position	Bolt
ALL90034*	SB Ford, SVO	(B) 11 O' clock	3/8"
ALL90035*	SB Ford, SVO	(C) 10 O' clock	3/8"
ALL90036*	SB Ford	(B) 11 O' clock	5/16"
ALL90037*	SB Ford	(C) 10 O' clock	5/16"

*Will Not Fit Cleveland Engines.



REV061217

Allstar Performance 8300 Lane Dr., Watervliet, MI 49098
 Phone: (269) 463-8000 Fax: (800) 772-2618 www.allstarperformance.com