

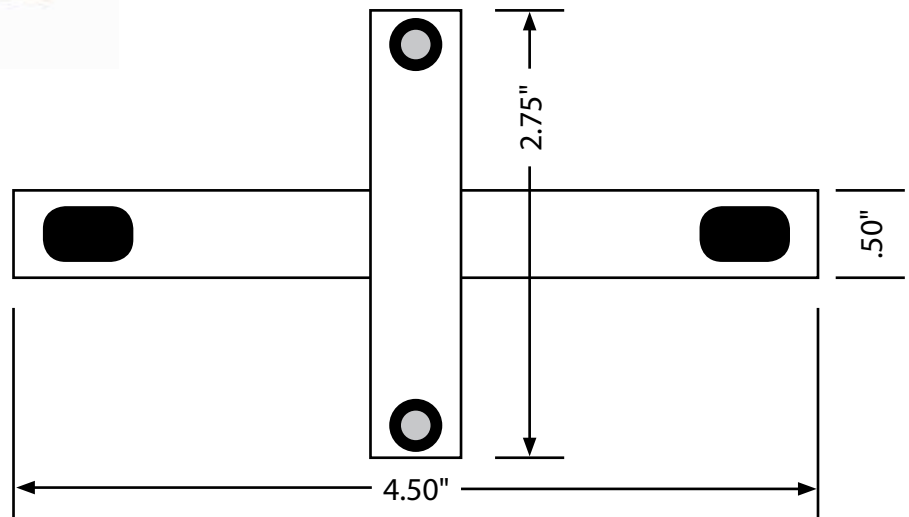


Part No. ALL14200
ALL14201

Overflow Tank Brackets

Billet aluminum bracket mounts most popular plastic overflow tanks to round chassis tubing and pivot to any angle. Tank mounting holes accept 1/4" fasteners and are slotted to fit tanks with mounting holes between 3-1/2" to 4" CTC.

| Part No. | Description |
|---------------|---------------------------|
| ALL14200..... | Bracket For 1-1/2" Tubing |
| ALL14201..... | Bracket For 1-3/4" Tubing |



REV091818