



Part No. ALL18546-18552

Weld-On Nuts

Weld these steel nuts into a predrilled hole to provide a strong and easy method of bolting brackets or accessories to chassis. Nuts are often used when the back side of a fastener is not accessible and they allow quicker installation and/or removal of chassis components.

1/4"-20 Nut for 3/8" Hole

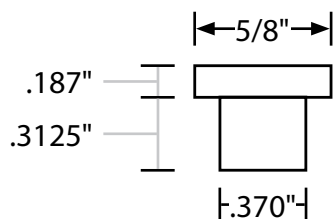
ALL18546.....(5/16" UHL), 4-Pack
ALL18546-25(5/16" UHL), 25-Pack

3/8"-16 Nut for 3/4" Hole

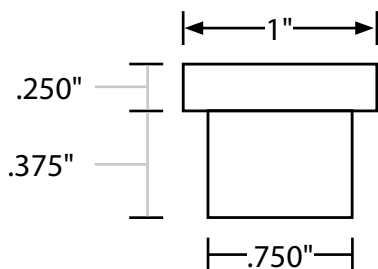
ALL18549.....Short (3/8" UHL), 4-Pack
ALL18549-25Short (3/8" UHL), 25-Pack
ALL18550.....Long (7/8" UHL), 4-Pack
ALL18550-25Long (7/8" UHL), 25-Pack

1/2"-13 Nut for 3/4" Hole

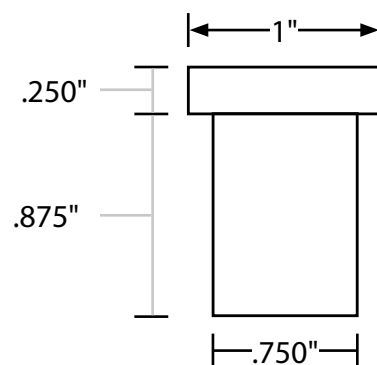
ALL18551.....Short (3/8" UHL), 4-Pack
ALL18551-25Short (3/8" UHL), 25-Pack
ALL18552.....Long (7/8" UHL), 4-Pack
ALL18552-25Long (7/8" UHL), 25-Pack



ALL18546



ALL18549
ALL18551



ALL18550
ALL18552