

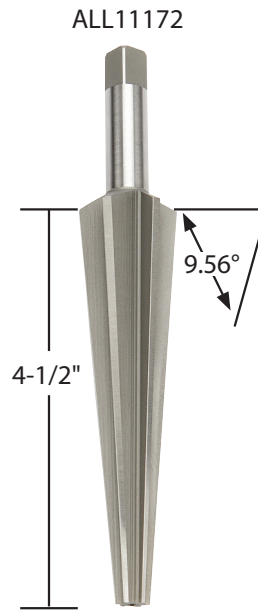
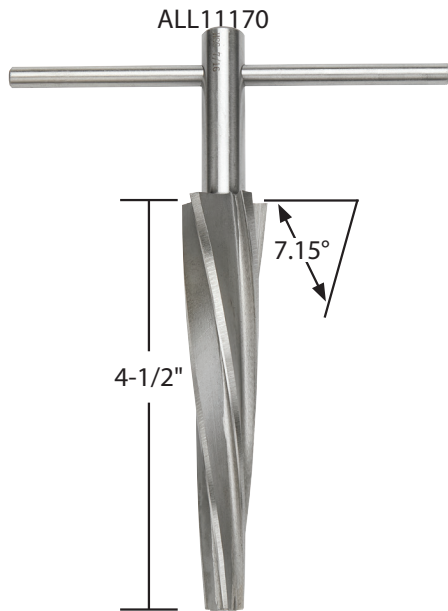


Part No. ALL11170
ALL11172

Taper Reamers

Repair or enlarge tapered holes to accept tie rod ends or ball joints. Reamers may be used in a drill with a 1/2" chuck by removing the T-handle.

- Part No: Description**
 ALL11170..... Large Diameter 1", Small Diameter 7/16"
 7.15°, 1-1/2" Taper Per Foot
 ALL11172..... Large Diameter 1-1/8", Small Diameter 3/8"
 9.56°, 2" Taper Per Foot



Taper Reamer Specifications For Ball Joints			
Ball Joint Part No.	Taper Specs.	Ball Joint Part No.	Taper Specs
ALL56204	1-1/2" Per Ft.	ALL56217	1-1/2" Per Ft.
ALL56206	2" Per Ft.	ALL56218	2" Per Ft.
ALL56208	2" Per Ft.	ALL56220	2" Per Ft.
ALL56210	1-1/2" Per Ft.	ALL56280	1-1/2" Per Ft.
ALL56212	2" Per Ft.	ALL56284	1-1/2" Per Ft.
ALL56214	1-1/2" Per Ft.	ALL56286	1-1/2" Per Ft.
ALL56216	1-1/2" Per Ft.	-	-

REV062722

Allstar Performance 8300 Lane Dr., Watervliet, MI 49098
Phone: (269) 463-8000 Fax: (800) 772-2618 www.allstarperformance.com