



Part No. ALL11270

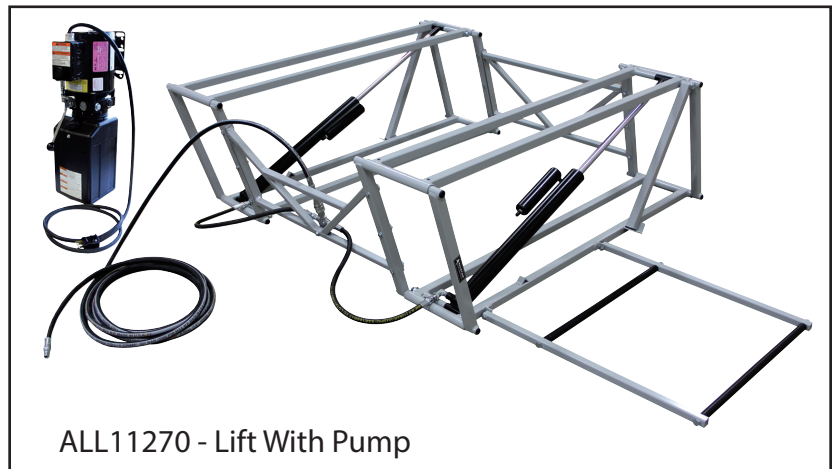
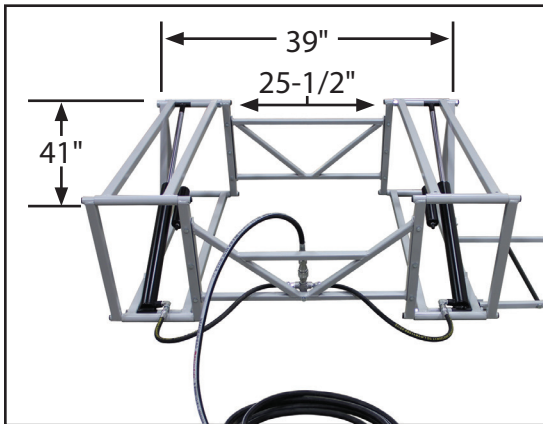
## Steel Frame Race Car Lift With Pump ALL11270

Portable lift collapses to a low 3" profile and raises up to 17". Weighing only 85 lbs., lift is easily positioned under race car to raise off the ground simplifying tire changes and chassis tuning. Strong 14 gauge Steel lift will support up to 2,400 Lbs. Complete system includes a 110V AC 3/4HP hydraulic pump with cord and plug, hydraulic cylinders with down assist canisters, 1" bolt on risers for cars with raised frame rails, safety struts to lock raised lift in place, assist handle and 20' of hydraulic quick connect hose to attach pump to lift. The pump provides power up/gravity down operation and can be mounted either horizontally or vertically, typically mounted to trailer or a hand cart. A push-button on the motor starts the unit to raise lift. To lower, a manually operated release valve is used for finger-tip control of lowering speed. Pump is compatible with hydraulic fluid, ATF, 10W30 or 10W40 oil (not included). Assembly is required, all hardware included.

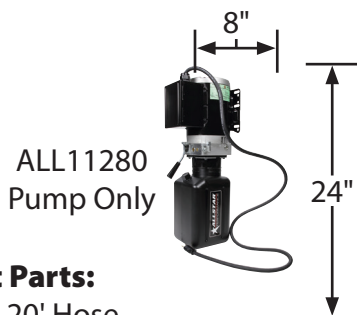
### Individual Components:

ALL11271..... Steel Frame

ALL11280..... 110V Hydraulic Pump



ALL11270 - Lift With Pump



ALL11280  
Pump Only

### Replacement Parts:

ALL11274..... 20' Hose

ALL11275..... 30' Hose

ALL11276..... Steel Handle

ALL99275..... Lifting Cylinder Left

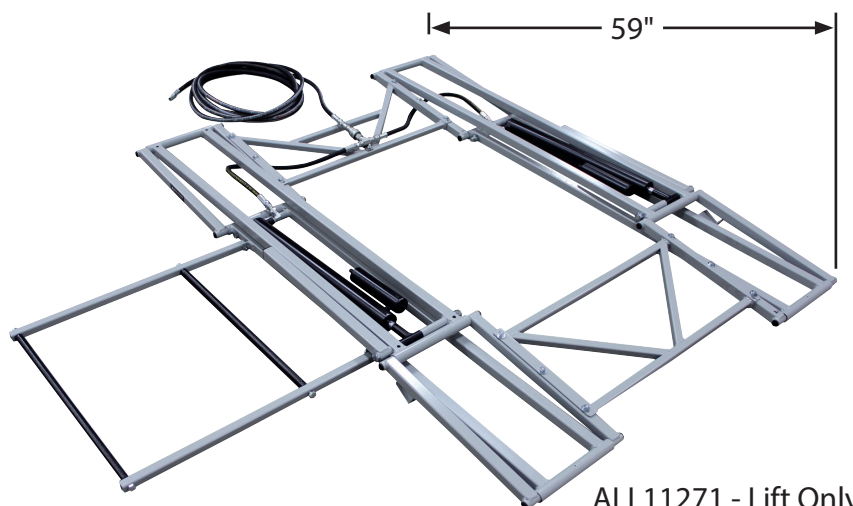
ALL99276..... Lifting Cylinder Right

ALL99277..... Hose (Tee To Cylinder)

ALL99273..... Down Assist Cylinder

ALL99274..... 90 Degree Pump/Cylinder Fitting

ALL99278..... Quick Disconnect Fitting Set



ALL11271 - Lift Only

REV011222

**Allstar Performance 8300 Lane Dr., Watervliet, MI 49098**  
**Phone: (269) 463-8000 Fax: (800) 772-2618 [www.allstarperformance.com](http://www.allstarperformance.com)**