



Part No. ALL22094

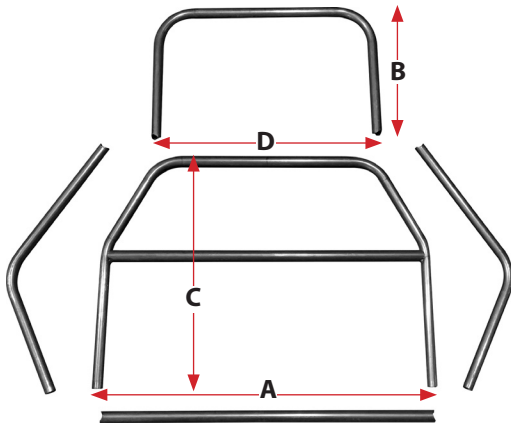
# Chevrolet Cavalier Roll Cage Kit

## ALL22094

Cage kit is specifically designed for the two and four door models of the 1994-2005 Chevrolet Cavalier typically used in mini-enduro and four cylinder classes. Kit is constructed of pre-cut and formed .095" wall 1-3/4" mild steel tubing and includes a main hoop, halo, windshield posts, windshield support bar, front and rear dash bars, curved door bars for the left side, and a Z-bar configuration for the right side. Kit also includes the components to build a sturdy foundation for installing the main cage. Welding required.



Kit Shown Assembled



ALL99235



ALL99234

| "A"   | "B"   | "C" | "D"   |
|-------|-------|-----|-------|
| 55.5" | 24.5" | 36" | 36.5" |

Dimensions listed are approximate overall height and width.

### Individual Components:

ALL99234.....Main Hoop Assembly for ALL22094

ALL99235.....Component Box for ALL22094

### Related Components:

ALL98134.....Upper Seat Mount Bar

ALL98135.....Seat Belt Bar for Shoulder Harness



ALL98134

ALL98135

REV020226

**Allstar Performance 8300 Lane Dr., Watervliet, MI 49098**  
**Phone: (269) 463-8000 Fax: (800) 772-2618 [www.allstarperformance.com](http://www.allstarperformance.com)**