



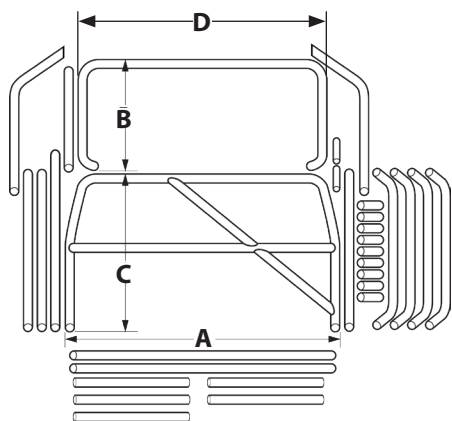
Roll Cage Kit for Crown Vic

ALL22095

Kit includes all pieces to assemble a roll cage for 1992-2012 Ford Crown Victoria models that is specially designed with safety in mind. Kit is constructed of 1-3/4" x .095" wall mild steel tubing which is pre-notched and has uniform bends for easy assembly. Features include a main hoop with diagonal reinforcing bars that are tack welded together allowing for changes or custom seat mounts, halo center support, halo support gussets, A-pillar support bars, dash bar support bars, passenger side horizontal and diagonal door bars and four driver's side curved and one straight door bars.

Note: Additional curved bars and spacers may be purchased separately for added safety if rules permit.

"A"	"B"	"C"	"D"
58"	28"	46-1/2"	44"



Kit Shown Assembled

Individual Components:

ALL99230.....Main Hoop Assembly for ALL22095

ALL99231.....Component Box for ALL22095

ALL99232.....Halo and Windshield Posts

Replacement Parts:

ALL22114.....Curved Door Bar

ALL22116.....Door Bar Spacer



ALL99230



ALL99232



ALL99231

Allstar Performance 8300 Lane Dr., Watervliet, MI 49098

Phone: (269) 463-8000 Fax: (800) 772-2618 www.allstarperformance.com