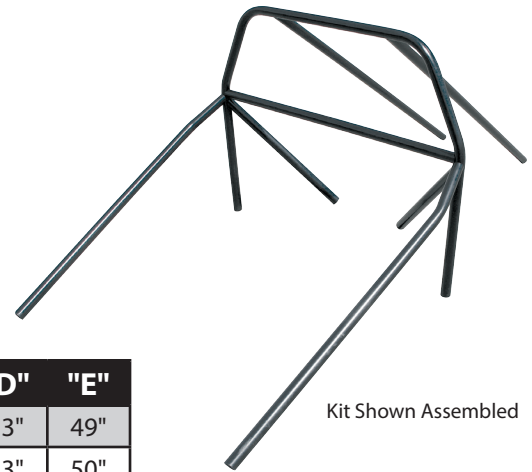




Part No. ALL22600-22610

8-Point Roll Bar Kits

Kits increase safety and the structural integrity of the vehicle. Main hoops are custom bent to fit each application precisely. Hoop and bars constructed of .134" mild steel, 1-3/4" diameter tubing. Welding required. Floor plates sold separately for unibody cars.



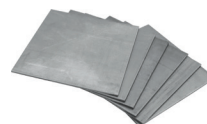
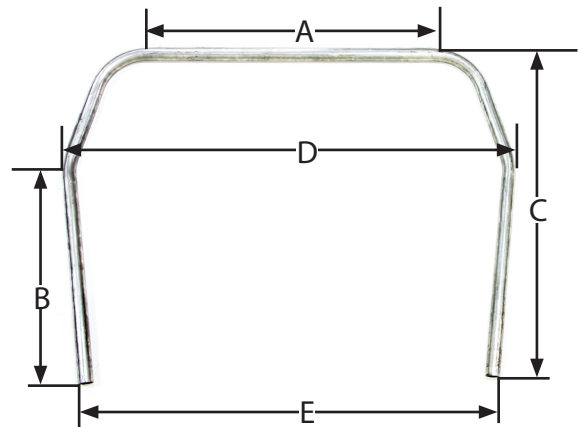
Part No.	Description	"A"	"B"	"C"	"D"	"E"
ALL22600	Camaro/Firebird 1967-69	36"	25"	41"	53"	49"
ALL22601	Camaro/Firebird 1970-81	36"	25"	41"	53"	50"
ALL22602	Camaro/Firebird 1982-92	32"	26"	41"	55"	53"
ALL22603	Camaro/Firebird 1993-02	32"	26"	41"	55"	53"
ALL22604	Camaro 2010-15	34"	44"	44"	55"	55"
ALL22608	G-Body (Monte Carlo, Cutlass, Regal, Grand Prix) 1978-88	33"	42"	42"	53"	53"
ALL22610	Mustang/Capri 1979-93	31"	25"	42"	53"	51"



ALL99619

Individual Components:

- ALL99600.....Main Hoop Assembly for ALL22600
- ALL99601.....Main Hoop Assembly for ALL22601
- ALL99602.....Main Hoop Assembly for ALL22602
- ALL99603.....Main Hoop Assembly for ALL22603
- ALL99604.....Main Hoop Assembly for ALL22604
- ALL99608.....Main Hoop Assembly for ALL22608
- ALL99610.....Main Hoop Assembly for ALL22610
- ALL99619.....Component Bars for 8-Point Kit
- ALL22640.....6" x 6" Floor Plates 6pcs.



REV041222

Allstar Performance 8300 Lane Dr., Watervliet, MI 49098
Phone: (269) 463-8000 Fax: (800) 772-2618 www.allstarperformance.com