



Part No. ALL23105
ALL23107

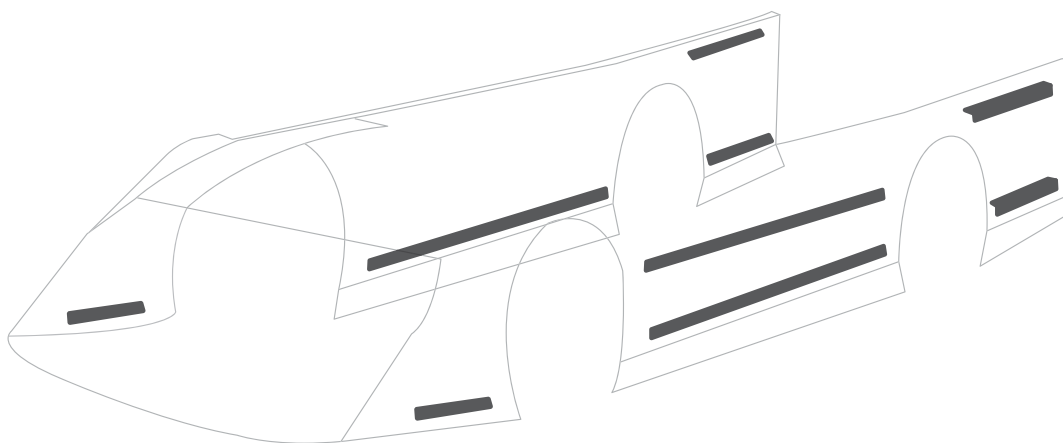
Late Model Body Brace Kits

Pre-drilled aluminum kits simplify installation of body panels. Both kits include the following braces: two 30" long 120° lower quarter, two 26" long 90° upper quarter and two 10" long 90° front fender. ALL23105 kit also includes three 66" long 90° door braces, where the ALL23107 kit includes two 66" long 90° and one 66" long 120° door braces. Use flat stock, spring steel, or slotted strapping to complete assembly (sold separately).

Part No.	Description
ALL23105.....	Body Brace Kit
ALL23107.....	Body Brace Kit



120° Angle



90° Angle

ALL23105 Kit Includes:
3pcs of 66" with 90° angle
2pcs of 30" with 120° angle
2pcs of 26" with 90° angle
2pcs of 10" with 90° angle

ALL23107 Kit Includes:
2pcs of 66" with 90° angle
1pcs of 66" with 120° angle
2pcs of 30" with 120° angle
2pcs of 26" with 90° angle
2pcs of 10" with 90° angle

REV082418

Allstar Performance 8300 Lane Dr., Watervliet, MI 49098
Phone: (269) 463-8000 Fax: (800) 772-2618 www.allstarperformance.com