

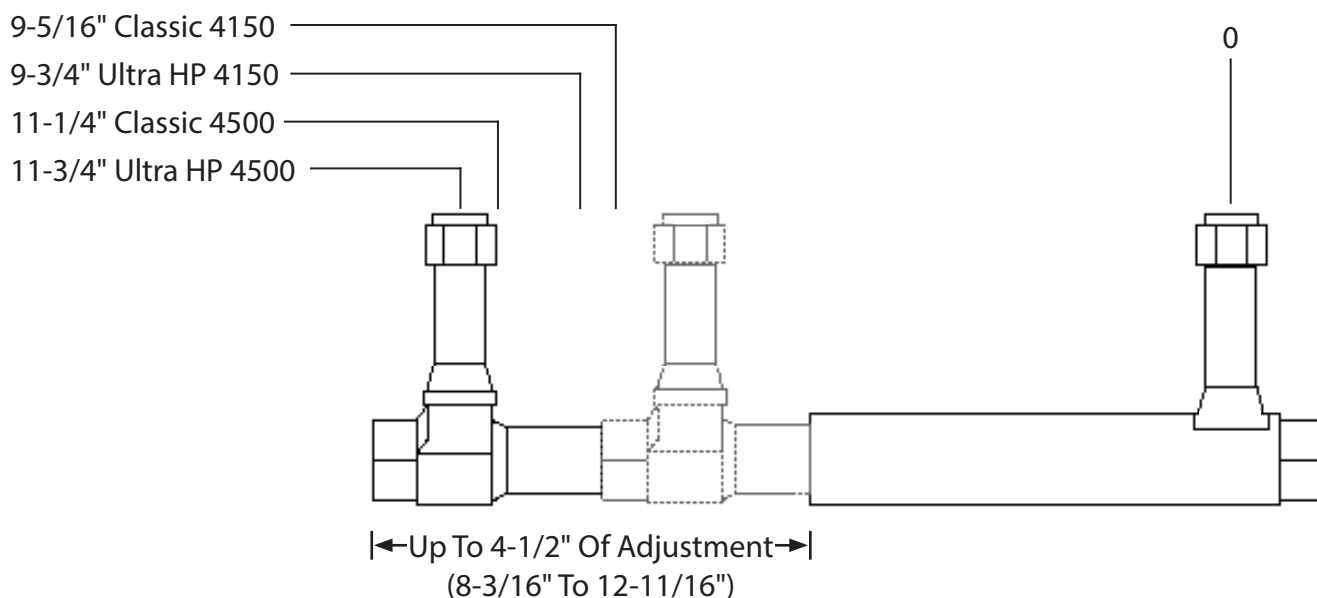


Part No. ALL26150
ALL26151

Adjustable Fuel Logs

Adjustable fuel logs feature over 4" of adjustment to work with a variety of dual inlet carburetors. Black anodized aluminum log has a -8AN fuel inlet and a 3/8"NPT plug in rear port that can be removed to install a return line or fuel pressure regulator.

Part No.	Description
ALL26150.....	Fuel Log With 7/8"-20 Fitting (Standard Holley)
ALL26151.....	Fuel Log With 3/4"-16 ORB Fitting (Holley Ultra H.P.)



REV092517

Allstar Performance 8300 Lane Dr., Watervliet, MI 49098
Phone: (269) 463-8000 Fax: (800) 772-2618 www.allstarperformance.com