



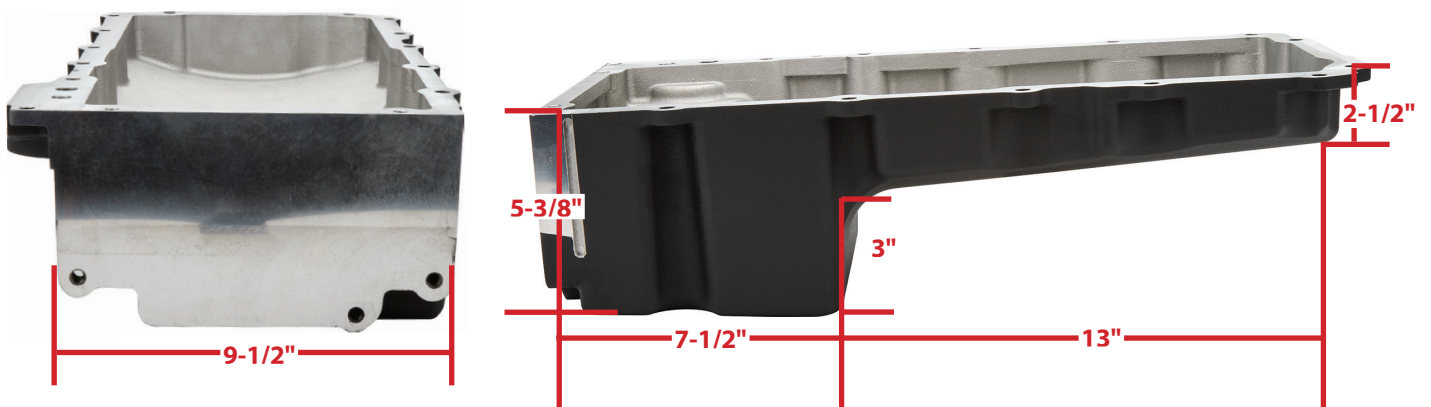
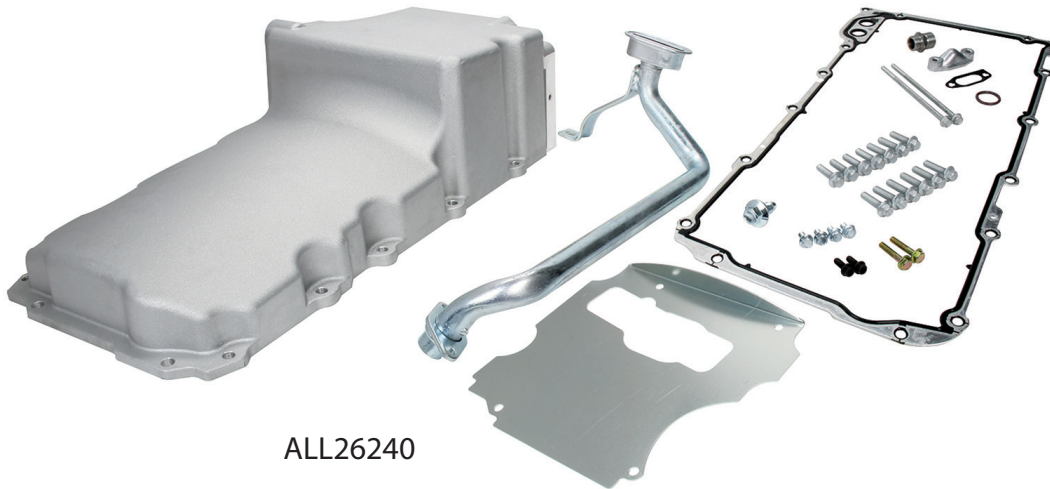
Part No. ALL26240  
ALL26241

## LS Oil Pan Kits

Cast aluminum oil pan kits ease the installation of LS series engines into early production vehicles by providing additional clearance between the oil pan and frame crossmember. Kits include oil pan, pick-up tube, gaskets, and mounting hardware required for installation.

Note: These kits may not fit all applications, additional engine mount adapters and possible frame modification may be required for installation in some vehicles.

Part No.	Description
ALL26240.....	Natural
ALL26241.....	Black



Allstar Performance 8300 Lane Dr., Watervliet, MI 49098  
Phone: (269) 463-8000 Fax: (800) 772-2618 [www.allstarperformance.com](http://www.allstarperformance.com)