

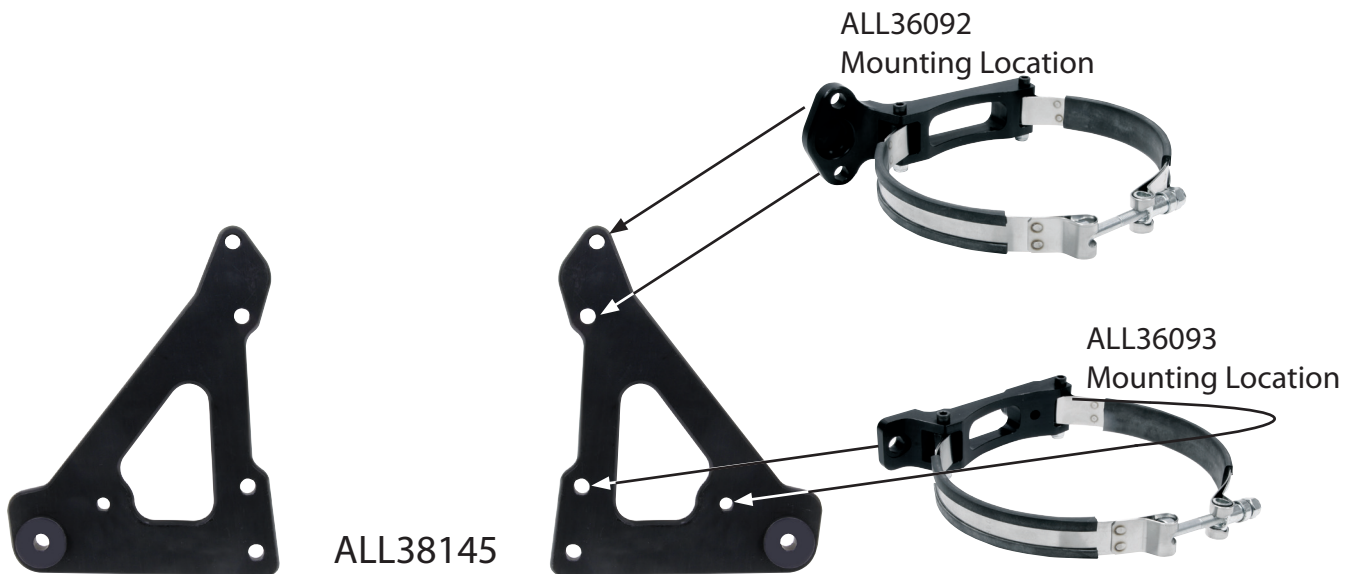
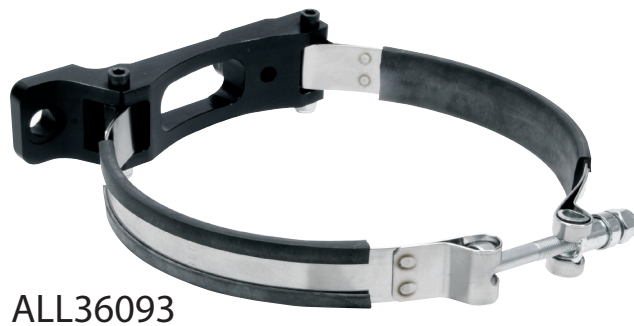


Part No. ALL36092
ALL36093

Sprint Car Dry Sump Tank Mounting Brackets

Mounting brackets are designed to mount 6" diameter tank to the left front corner of standard small block Chevy engine. Commonly mounted with ALL38145 sprint engine plate, the upper bracket utilizes the water pump mounting holes and the lower bracket fastens to the early front engine mount mounting hole.

Part No.	Description
ALL36092.....	Upper Tank Mount
ALL36093.....	Lower Tank Mount



Related Item:

ALL38145.....2-Piece Sprint Engine Plate With Bushings, Aluminum

REV042624

Allstar Performance 8300 Lane Dr., Watervliet, MI 49098
Phone: (269) 463-8000 Fax: (800) 772-2618 www.allstarperformance.com