



Part No. ALL56192
ALL56194

Steel Clevises

Clevises are commonly used with a ball joint holder when building upper control arm or with strut style lower control arm when attaching suspension tube for a strut rod.

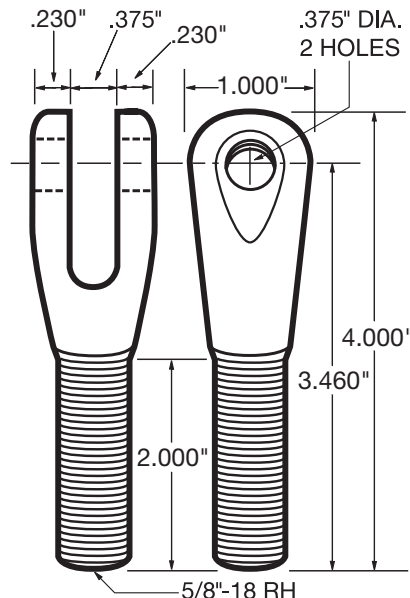
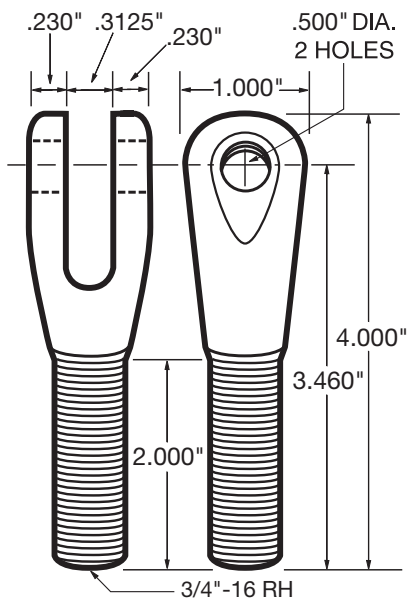
Part No.	Description
ALL56192.....	3/4"-16 RH Thread Clevis with 1/2" Holes
ALL56194.....	5/8"-18 RH Thread Clevis with 3/8" Holes



ALL56192



ALL56194



REV050820