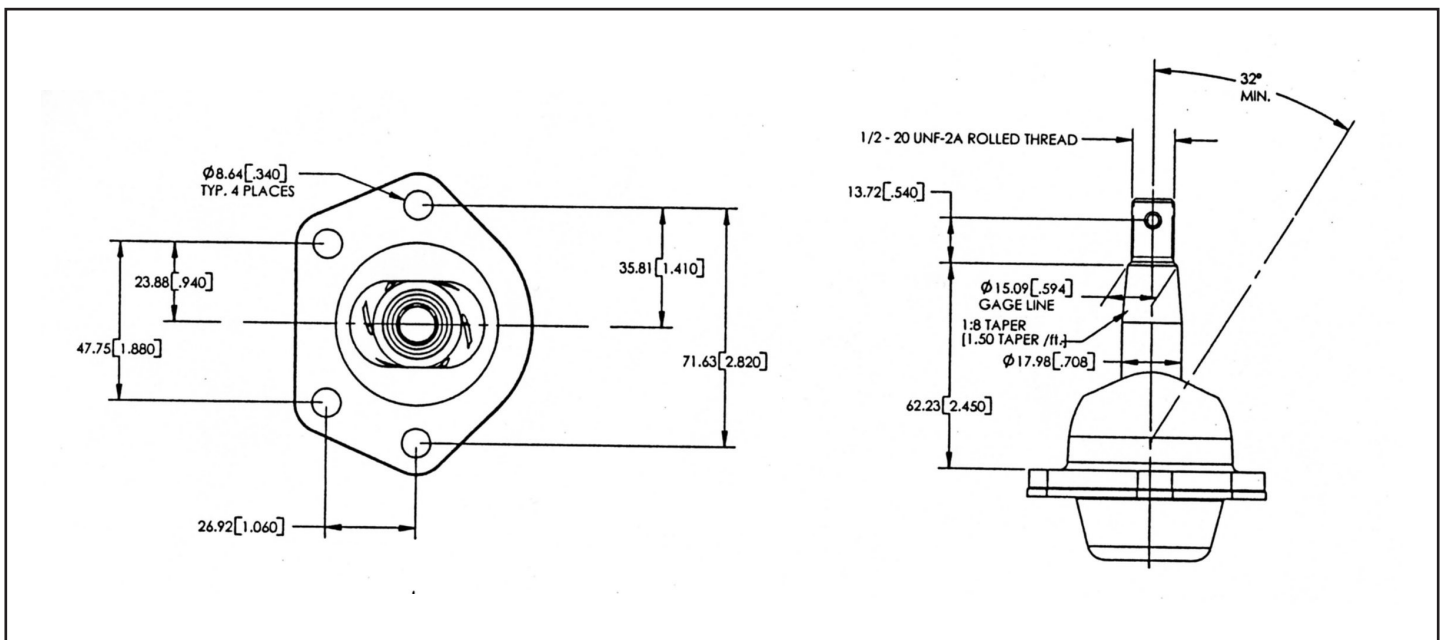




Part No. ALL56204

Bolt-In Upper Ball Joint

Fits UB Machine style upper control arm where a bolt-in style ball joint is required. (Replaces Moog K6024, TRW 10185, or AFCO 20031.) Outer mounting bolt holes are 2.82" CTC. 1-1/2" taper per foot.
Note: Actual product may appear different than product pictured.



REV122320