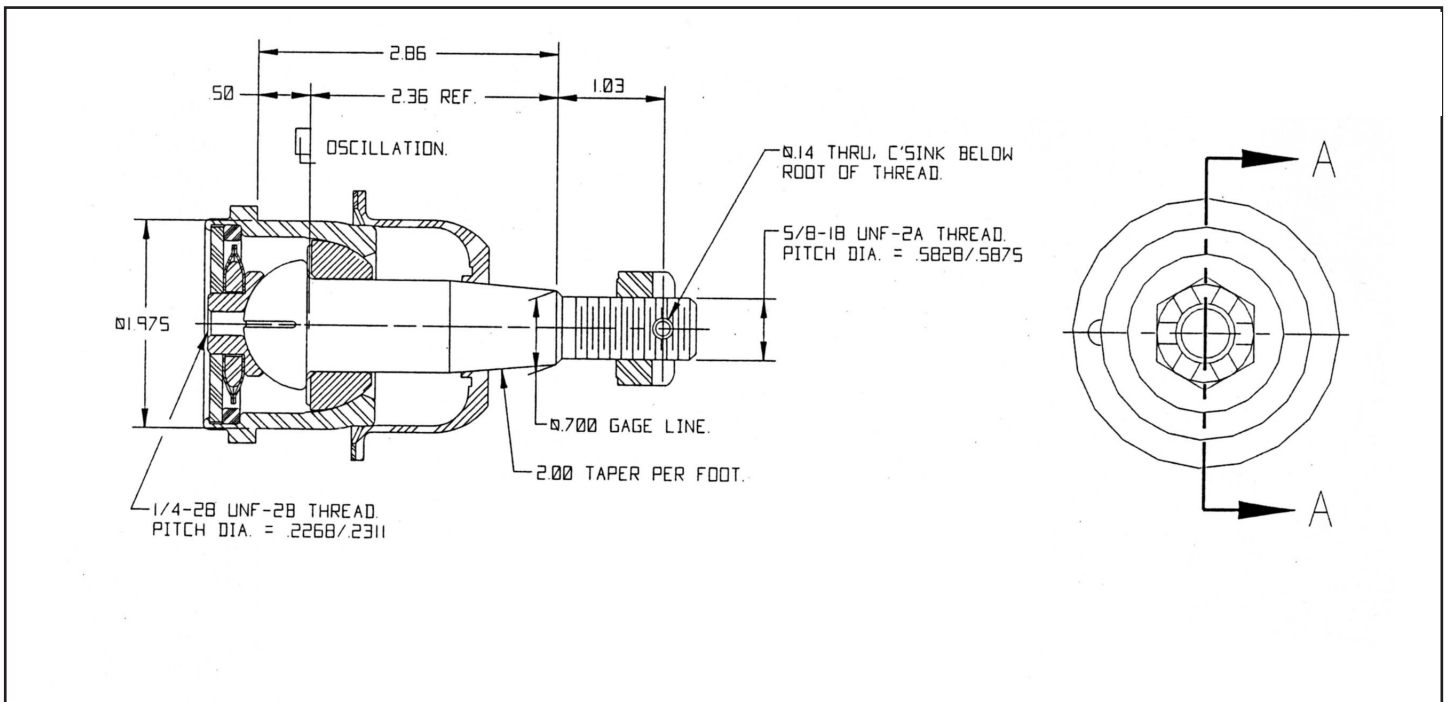




Part No. ALL56212

Weld-In Lower Ball Joint

Weld-in joint fits Impala spindle. Can be used to raise the roll center on street stock or modified cars. Base O.D. is 1.975". (Replaces - Moog K6117, TRW 10264 or AFCO 20038-1). 2" taper per foot.
Note: Actual product may appear different than product pictured.



REV122320

Allstar Performance 8300 Lane Dr., Watervliet, MI 49098
Phone: (269) 463-8000 Fax: (800) 772-2618 www.allstarperformance.com