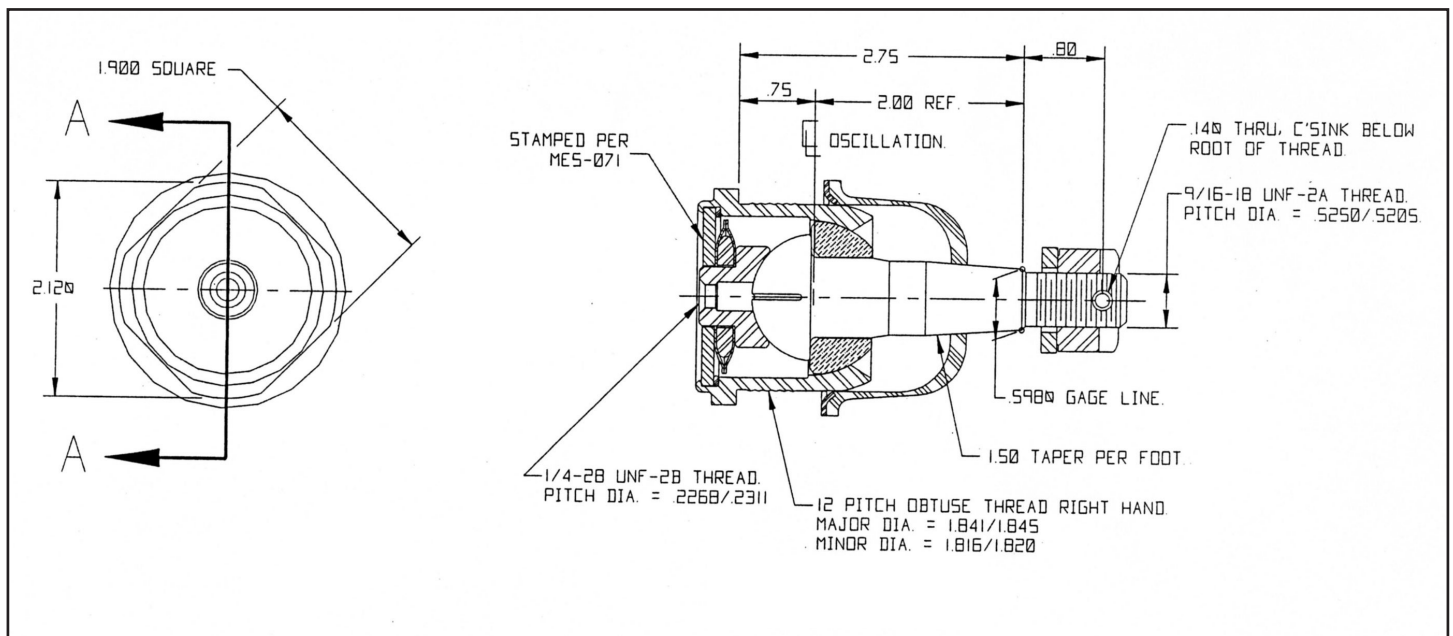




Part No. ALL56214

Screw-In Upper Ball Joint

Most popular upper ball joint used. Originally used in Dodge, Chrysler and Plymouth cars. Fits Allstar ball joint holders and Lefthander chassis style upper control arm or where a screw-in type ball joint is required. (Replaces Moog K772 or AFCO 20034.) 1-1/2" taper per foot.
Note: Actual product may appear different than product pictured.



REV122320

Allstar Performance 8300 Lane Dr., Watervliet, MI 49098
Phone: (269) 463-8000 Fax: (800) 772-2618 www.allstarperformance.com