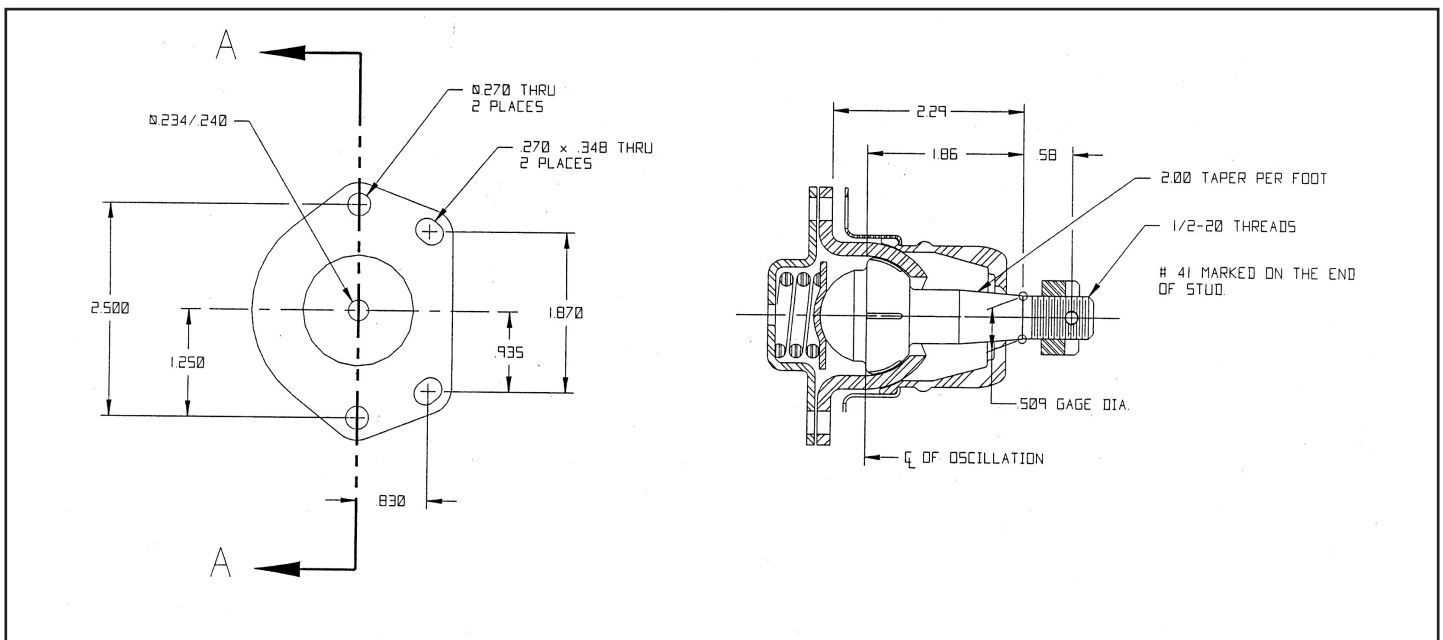




Part No. ALL56220

Bolt-In Upper Ball Joint

Fits full-size 1971-94 Impala spindles. Also fits 1971-81 Camaro and 1973-88 Chevelle/Monte Carlo. Replaces Moog K5208, TRW 10268 or AFCO 20032. Outer mounting bolt holes are 2-1/2" CTC. 2" taper per foot. Note: Actual product may appear different than product pictured.



REV122320

Allstar Performance 8300 Lane Dr., Watervliet, MI 49098
Phone: (269) 463-8000 Fax: (800) 772-2618 www.allstarperformance.com