

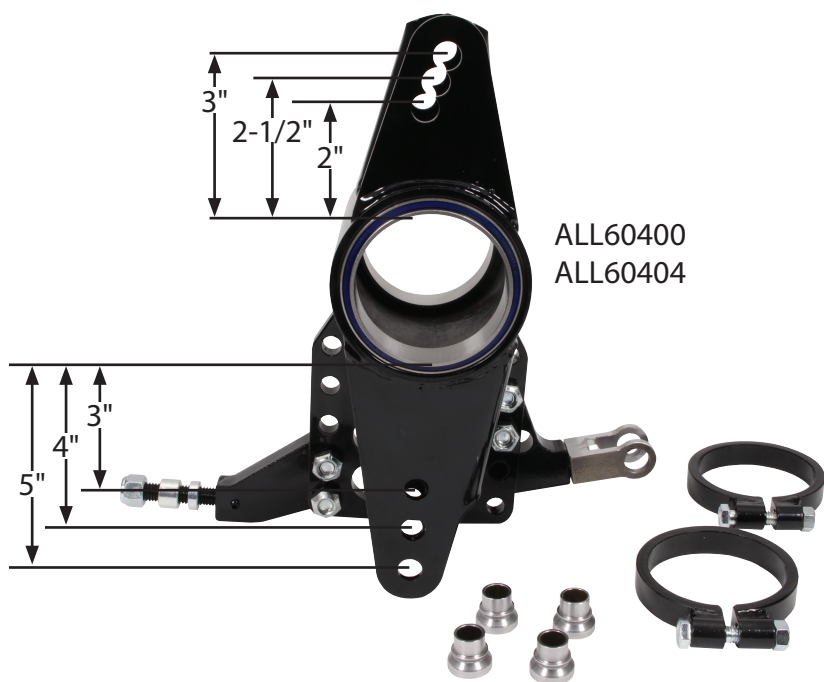


Part No. ALL60404
ALL60406

Steel Bird Cages With Roller Bearings

Steel bird cages are compatible with many types of racecars using four link rear suspension and feature double shear radius rod mounting brackets for increased strength and reduced flexing. Maintenance free sealed roller bearings provide smooth action through entire suspension range. Kits have multiple shock mounting locations with swivel and solid mounts and also include high mis-alignment bushings which allow additional radius rod travel to help prevent binding under severe angles. Use with machined axle tubes.

| Part No. | Description |
|---------------|------------------------|
| ALL60404..... | LH With 3.008" Bearing |
| ALL60406..... | RH With 3.008" Bearing |



ALL60400
ALL60404



ALL60402
ALL60406

Replacement Parts:

- ALL99330..... Shock Bracket With Swivel Clevis Mount And Spacers
- ALL99331..... Shock Swivel Clevis With Spacers
- ALL99332..... Shock Clevis Spacers, 1-Pair
- ALL99334..... Shock Bracket With Stud Mount And Spacers
- ALL99336..... Bushings
- ALL72330..... Bird Cage Bearing 3.004"
- ALL72332..... Bird Cage Bearing 3.008"



Allstar Performance 8300 Lane Dr., Watervliet, MI 49098
Phone: (269) 463-8000 Fax: (800) 772-2618 www.allstarperformance.com